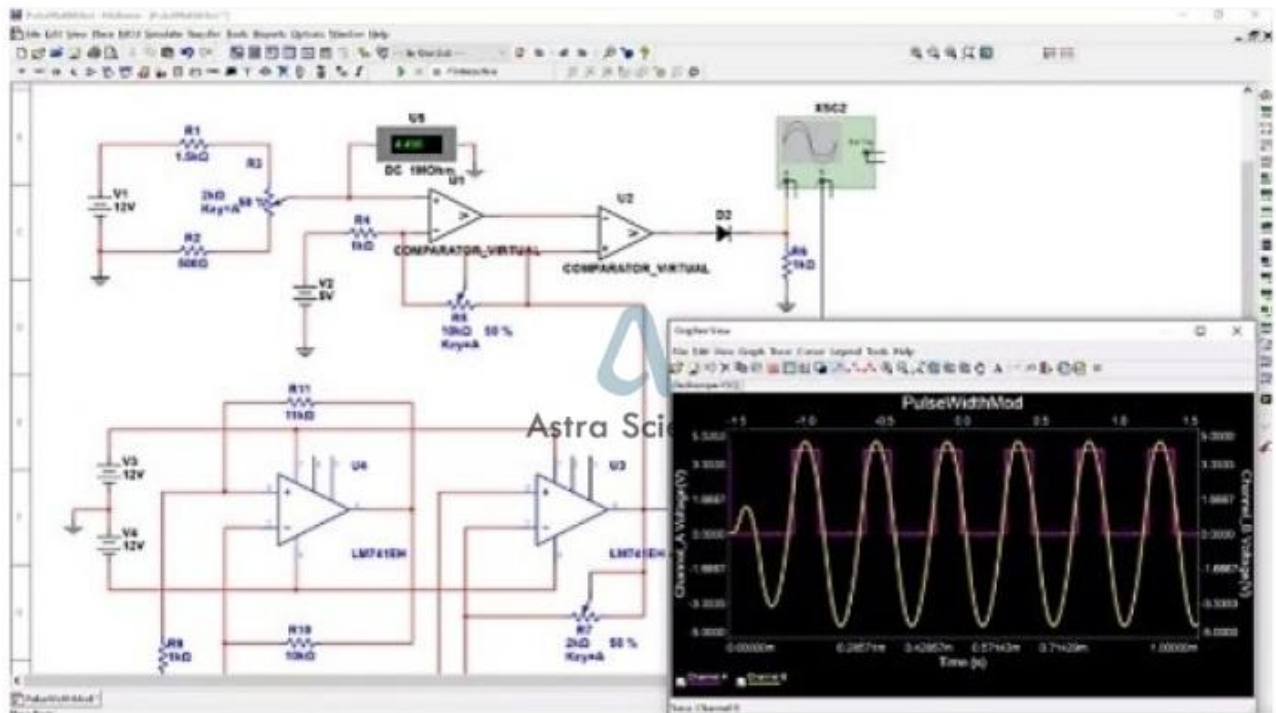


**Product Name :**  
Multisim

**Product Code :**  
ASTRALAB-SUPPLYA133009



**Description :**

Multisim

**Technical Specification :**

Multisim™ software is a circuit simulator developed for students to learn analog, digital, and power electronics.

Over 20 different interactive analyses correlate theory and reality with simulation and analysis tools proven to prepare students for authentic design challenges.



## **Astra Scientific**

www.astrascientific.com, **Email:** info@astrascientific.com

**Address:** K-88, 20th Street, Annanagar, Chennai, India – 600040 **Phone:** +91-8860605265